



## EasyView™ Roller Shutter

Brings The Outdoors Indoors!



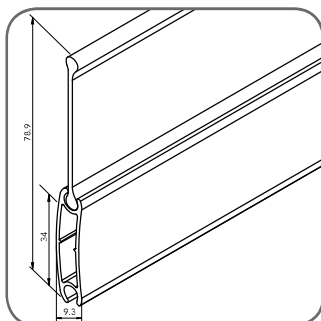
This roller shutter system is made with a combination of a precision extruded aluminium profile and a transparent, UV resistant polycarbonate profile, which provides added security and permanent views of the outdoors. It is suitable for many domestic and commercial applications.

### Suitable Applications

- Domestic Verandah & Patio Enclosures.
- Terrace Restaurants & Cafes.
- Internal Separation Barriers.
- Counter Tops/Serveries.
- Shopping Centre Closures.

### Features

- High quality, strong aluminium alloy and polycarbonate construction.
- Commercial grade double wall extruded profile for heavy duty strength.
- UV resistant polycarbonate profile.
- High quality powder coated finish for maximum abrasion resistance.
- Roll-tight design.
- Range of colours.
- Heavy duty steel axle with high quality internal sealed bearings.
- Fully retractable into an enclosed pelmet.
- Suitable for widespan widths up to 4400mm.
- Can be manually operated or motorised.
- Made in Australia.



### Technical Specifications

Maximum Shutter Width	4400mm
Maximum Shutter Height	3000mm
Maximum Surface Area	10m <sup>2</sup>
Curtain Weight/Metre <sup>2</sup>	6kg
Number Of Slats/Metre	28 (combined aluminium & polycarbonate slats)
Profile Slat Covering	34mm Aluminium/38mm Polycarb
Profile Slat Thickness	9.3mm Aluminium/4mm Polycarb
Axle Types	Octagonal Aluminium or Steel
Bottom Bar Dimensions	60mm x 9mm
Guide Dimensions	68mm x 25mm/14mm (Heavy Duty Guide)
Paint Finish	High Quality Powder Coat Finish

\* CW Products recommends the use of Photo Safety Cells and a Safety Brake when installing automated roller shutters over openings and doorways. Especially when the roller shutter is not in full view of the operator (eg. when using a remote control or wall switch positioned away from the roller shutter and out of view). When using a wall switch, we recommend a spring return switch/deadman switch.

Note: EasyView is suitable for internal & external use in low to medium wind environments. For high wind applications exceeding 25 km/h please consult a professional engineer to determine suitability or contact your CW Products representative. The EasyView product warranty does not cover excessive wind damage.



# Made To Measure Roller Shutters

## Pelmet Sizes & Maximum Shutter Height

### Winged Slat Locks

Pelmet Box Size	Max. No. Of Slats	Max. Shutter Height (Including Pelmet)	Axle Size
205mm	42	1600mm	101mm with adaptor
230mm	62	2300mm	101mm with adaptor
250mm	76	2800mm	101mm with adaptor
300mm	86	3200mm*	101mm with adaptor

\* Measurement exceeds recommended maximum shutter height. May be allowed if other technical specifications are met. Check with your local CW Products representative.

## Wind Speeds & Maximum Shutter Width

Wind Speed		Max. Shutter Width	Max. Surface Area
m/sec	km/h		
11.2m/sec	40.32km/h	4400mm	13.23m <sup>2</sup>
13m/sec	46.80km/h	3520mm	10.56m <sup>2</sup>
15.8m/sec	56.88km/h	3060mm	9.18m <sup>2</sup>
20.4m/sec	73.44km/h	2670mm	8.01m <sup>2</sup>

## Roller Shutter Colour Options

Profiles	Pelmets/Side Frames/Guides/Bottom Bars
Cream	Cream
Magnolia Cream	Magnolia Cream
Clear Beige	Clear Beige
White	White
Grey	Grey
Black	Black
Anodised Silver	Woodland Grey
Woodland Grey	Powder coated options available (additional charges apply)
Clear Polycarbonate	
Tinted Polycarbonate	

To order please complete a **CW Products Made To Measure Roller Shutter Order Form.**

## Control Options

### Manual Options



Steel Cable Winder (Up To 50Kg)\*



Spring Loaded With Key Lock (Up To 3.2m Wide)



Crank Handle With Gear Ace (Up To 30Kg) See Page 42 For Universal Joint Position Options For Gear Ace Shutters

### Motorised Options



Remote Control With SolarSmart™ Plus Automation 12V Motor (Up To 50Kg)



PowerSmart™ Control System With 12V Motor (Up To 50Kg) †\*



Wall Switch With 240V Electric Motor\*

† When used in conjunction with an assist spring as per CW Products specifications.  
\* Control options must be installed in an indoor environment.

### Motorised Options (continued)



Remote Control With 240V Electric SIMU Hz Motor



Key Switch With 240V Electric Motor



Crank Handle With 240V Electric Manual Override Motor



Remote Control (Key Ring Transmitter) With 240V Electric Motor & Multi-Function SIMU RSA Hz Radio Receiver & Control Unit